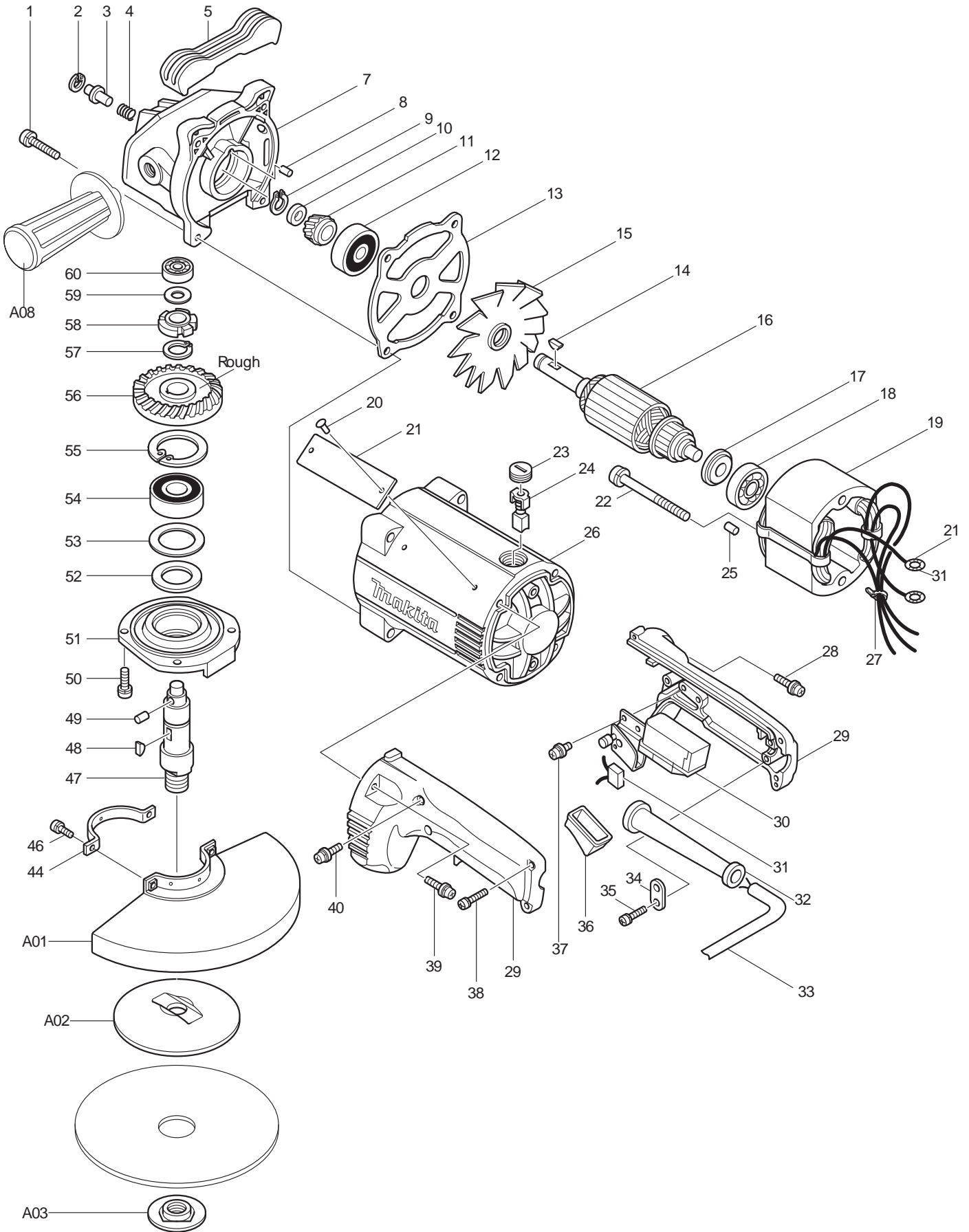




05 - 2010
9607NB
7" ANGLE GRINDER



Item No.	Type	Sub	Part No.	Description (*see Service changes on the bottom)	Qty	Unit
1			911261-6	PAN HEAD SCREW M5X40	4	PC.
2			962062-5	RETAINING RING R-12	1	PC.
3			256615-3	PIN 6	1	PC.
4			231037-8	COMPRESSION SPRING 7	1	PC.
5			421156-0	TOOL REST	1	PC.
7			156451-6	* GEAR HOUSING COM. (OLD# 151806-0)	1	PC.
		INC.	257056-6	* RING 6	1	PC.
		INC.		* Item No. 58		
8			263005-3	RUBBER PIN 6	1	PC.
9			961072-9	RETAINING RING S-12	1	PC.
11			221320-1	SPIRAL BEVEL GEAR 19	1	PC.
12			211111-8	BALL BEARING 6301LLB	1	PC.
13			341403-2	PLATE	1	PC.
14			254001-2	WOODRUFF KEY 4	1	PC.
15			241312-4	FAN 100	1	PC.
16			514950-8	ARMATURE ASS'Y 100/115V	1	PC.
		INC.		Item No. 15,17,18		
17			681635-2	INSULATION WASHER	1	PC.
18			211087-9	BALL BEARING 6200DDW	1	PC.
19			524525-5	FIELD ASS'Y 100V-115V (OLD# 624525-6)	1	PC.
		INC.	654020-2	RING TERMINAL	2	PC.
		INC.	654502-4	CONNECTOR P-2	2	PC.
20			953106-2	RIVET 0-5	2	PC.
21			855856D4	NAME PLATE 9607NB	1	PC.
22			911290-9	PAN HEAD SCREW M5X65	2	PC.
23			643650-4	BRUSH HOLDER CAP 6.5-13.5	2	PC.
24	1		181047-4	CARBON BRUSH CB-154 2PC/SET (W/O ORIGIN)	1	SET
	2		194986-9	CARBON BRUSH CB-154 2PC/SET (W/ ORIGIN)	1	SET
25	1		263002-9	* RUBBER PIN 4	1	PC.
	2		263014-2	* RUBBER PIN 4	1	PC.
26	1		151805-2	* MOTOR HOUSING COMPLETE	1	PC.
		INC.	643653-8	* BRUSH HOLDER 6.5-13.5	2	PC.
		INC.	913206-0	* SET SCREW M5X8	2	PC.
		INC.		* Item No. 25		
26	2		156452-4	* MOTOR HOUSING COMPLETE	1	PC.
		INC.	643660-1	* BRUSH HOLDER 6.5-13.5	2	PC.
		INC.		* Item No. 25		
27			687010-0	BAND	1	PC.
28			911248-8	PAN HEAD SCREW M5X28	2	PC.
29	1		183056-9	* HANDLE SET	1	SET
	2		181908-8	* HANDLE SET	1	SET
30			651128-3	SWITCH C3D-15AS	1	PC.
32			682505-8	CORD GUARD 10-90	1	PC.
33			664463-0	POWER SUPPLY CORD AWG#14-2-2.5	1	PC.
34			687001-1	STRAIN RELIEF	1	PC.
35			911133-5	PAN HEAD SCREW M4X18	2	PC.
36			421279-4	* DUST COVER F/AC/DC SWITCH (OLD)	1	PC.
37			911113-1	PAN HEAD SCREW M4X10	2	PC.
38			911143-2	PAN HEAD SCREW M4X22	2	PC.
39			911248-8	PAN HEAD SCREW M5X28	2	PC.
40			911138-5	PAN HEAD SCREW M4X20	1	PC.
44			342555-2	WHEEL COVER HOLDER	1	PC.
46			251259-4	+ PAN HEAD SCREW M5X16	2	PC.
47			325568-8	SPINDLE	1	PC.
48			254001-2	WOODRUFF KEY 4	1	PC.
49			256047-4	PIN 6	1	PC.

Item No.	Type	Sub Part No.	Description (*see Service changes on the bottom)	Qty	Unit
50		911230-7	PAN HEAD SCREW M5X18	4	PC.
51	1	315623-4	* BEARING BOX	1	PC.
	2	315003-4	* BEARING BOX	1	PC.
52		443036-0	FELT RING 25	1	PC.
53		253772-8	FLAT WASHER 28	1	PC.
54		211256-2	BALL BEARING 6203LLB	1	PC.
55		962157-4	RETAINING RING R-40	1	PC.
56		221321-9	SPIRAL BEVEL GEAR 58	1	PC.
57		961057-5	RETAINING RING S-17	1	PC.
58		322465-9	SPINDLE LOCK BUSH	1	PC.
59		253214-2	FLAT WASHER 9	1	PC.
60		211058-6	BALL BEARING 629LB	1	PC.

ACCESSORIES

A01		191235-5	WHEEL COVER ASSY F/7"	1	PC.
	INC.	164477-4	WHEEL COVER	1	PC.
	INC.		Item No. 44, 46		
A02		224111-9	INNER FLANGE 89	1	PC.
		224111-9A	INNER FLANGE 89 - BULK	1	PC.
		224111-9D	THROW-AWAY ADAPTOR	1	PC.
		224111-9X	RE-USABLE ADAPTOR	1	PC.
A03		224512-1	LOCK NUT 5/8-45 (F/ D.C.W & C.O.W)	1	PC.
		224512-1A	LOCK NUT 5/8-45 - BULK	1	PC.
A04		224083-8	INNER FLANGE 45 (F/C.O.W)	1	PC.
A05		741413-B	7" DEPRESSED CENTER WHEEL, 24R	1	PC.
		741466-2	7" DEPRESSED CENTER WHEEL, A24R	1	PC.
		741416-7	7" DEPRESSED CENTER WHEEL, A36P	1	PC.
A06	1	792172-2	7" CUT-OFF WHEEL A36 (5/PKG)	1	PK.
	2	A-83618	7" CUT-OFF WHEEL A30T-BF (7/8")	1	PC.
A07		-----	WIRE CUP BRUSH (SEE CATALOGUE)	1	PC.
A08		152492-0	GRIP 36 COMPLETE	1	PC.
A09		782412-6	LOCK NUT WRENCH 28	1	PC.

SERVICE CHANGES

1. Changes on Bearing Box, Gear Housing Complete, Motor Housing Complete, Handle Set, etc.

Item No.	Description	Type 1	Type 2	Note:
7	Gear Housing Com	151806-0	156451-6	
26	Motor Housing Com	151805-2	156452-4	
	- Brush Holder	643653-8	643660-1	Component of Item 26
	- Set Screw M5x8	913206-0	-----	Component of Item 26
25	Rubber Pin 4	263002-9	263014-2	Component of Item 26
29	Handle Set	183056-9	181908-8	
36	Dust Cover	421279-4	-----	Component of Item 29
51	Bearing Box	315623-4	315003-4	

Item 29 and 36 are completely interchangeable as a set.